



**PRODUCT GUIDE**  
**- WC LIMIT SWITCH APL SERIES -**



**EXPECT QUALITY AND RELIABILITY**  
**using our brand name LIMIT SWITCH - APL SERIES**

Version 3.0

**Head Office:**



7596 Wagner RD NW  
Edmonton , Alberta CANADA T6E 5B2  
info@weirusa.com / www.weirusa.com

1.866.462.1910 Toll Free  
780.462.1910 ph | 780.462.1959 fax



**DOMESTIC PRODUCTS MADE IN NORTH AMERICA**  
**Details are the difference between ordinary and EXCELLENCE**

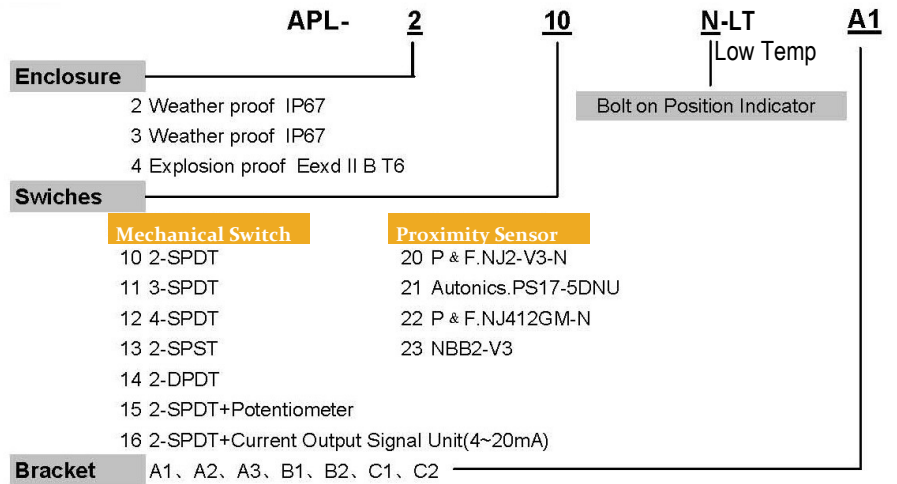


## LIMIT SWITCH - APL Series

- Aluminum die-casting housing and powder coated.
- Bolt on visual position indicator for secure waterproofing.
- Quick set CAM - spring loaded splined cam.
- Multi point terminal strip - standard 8 points enough strips for connection.
- Dual cable entries.
- Captive cover bolts - no chance of losing bolts while the cover is open.
- Easy mounting - NAMUR standard stainless steel shaft and bracket

**Solutions for your company needs**

## ORDERING



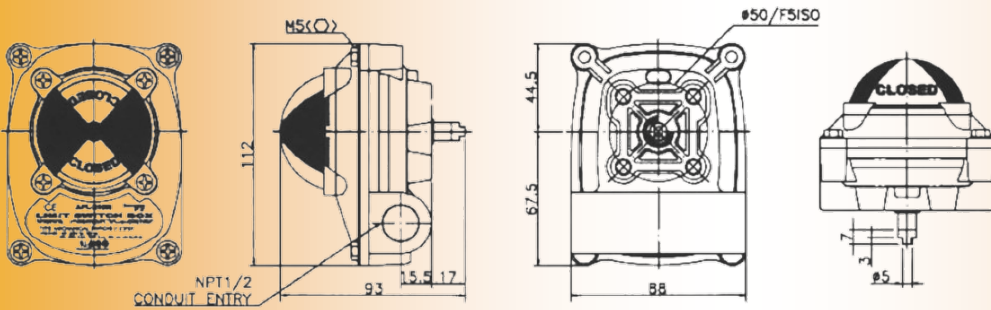
**Weir offers technical consulting and provides a total end to end solution.**



# TECHNICAL DATA

Model	APL310N		APL410N		APL410N-LT	
	Standard	Option	Standard	Option	Standard	Option
<b>Enclosure Explosion Proof</b>	IP67		IP67 Eexd II B T6 (EN50014/50018)		IP67 Eexd II B T6 (EN50014/50018)	
<b>Temperature Range</b>	-13 to 140F		-13 to 140		-40 to 140	
<b>Cable Entry</b>	2x1/2NPT	PT1/2 PF1/2	2x3/4NPT	PT3/4 PF3/4	2x3/4NPT	PT3/4 PF3/4
<b>Terminal Strips</b>	8	9 ~24	8	9 ~24	8	9 ~24
<b>Position Indicator</b>	-0 ~'90°	-0 ~'180°	-0 ~'90°	-0 ~'180°	-0 ~'90°	-0 ~'180°
<b>Open - Yellow Close - Red</b>						
Mechanical Switch, Proximity Sensor						

## DIMENSIONS - UNIT: MM

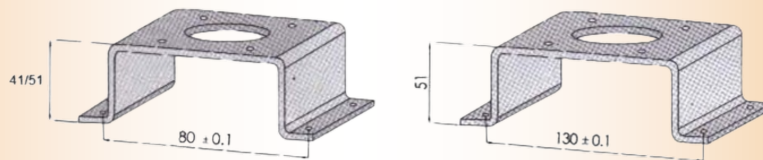


## WCAPL-210 BRACKET



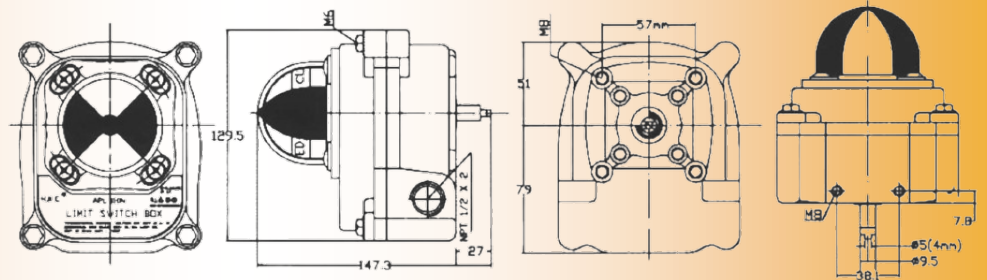
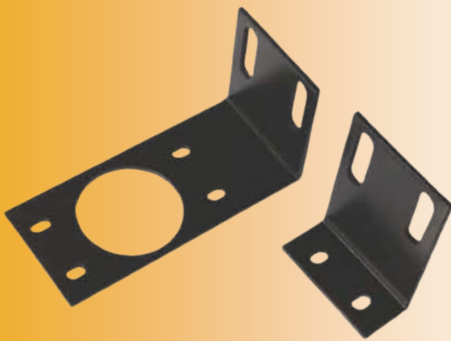
## STANDARD NAMUR SHAFT

### WCAPL-210 SERIES

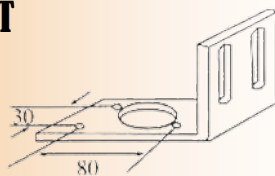


A1 30×80 H: 20  
A2 30×80 H: 30

A3 30×130 H: 30



## WCAPL-310 BRACKET



B1 30×80 H: 20~30

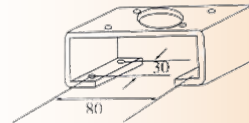
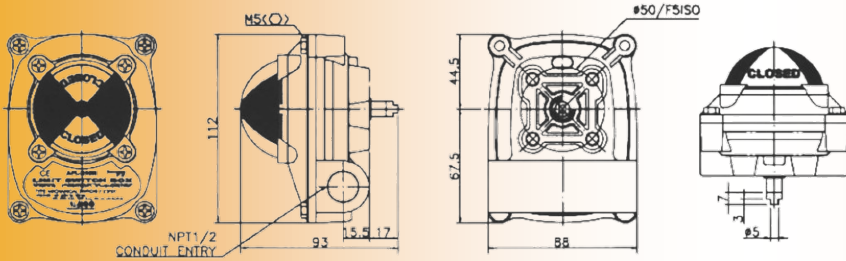
B2 30×130 H: 30~50

## STANDARD NAMUR SHAFT

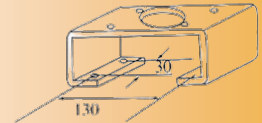
### WCAPL-310 SERIES

# PRODUCT GUIDE

## WEIR WC LIMIT SWITCH - APL SERIES



C1 30×80 H:30



C2 30×130 H:30



Technical Library

www.weirusa.com

SCAN ME

## SOLUTIONS FOR YOUR COMPANY NEEDS - **WORLD WIDE SHIPPING**



**- HELP DESK -**

FOR YOUR SUPPORT AND SERVICE

**24 hours a day, 7 days a week**

**NO CHARGE ON CALLS SERVICE**

We offer technical assistance, product knowledge, and reliable trouble shooting

Brochures/Maintenance info available online [www.weirusa.com](http://www.weirusa.com)



**Head Office:**

7596 Wagner RD NW

Edmonton, Alberta CANADA T6E 5B2

[info@weirusa.com](mailto:info@weirusa.com) / [www.weirusa.com](http://www.weirusa.com)

1.866.462.1910 Toll Free

780.462.1910 ph | 780.462.1959 fax