



# PRODUCT GUIDE - WC T50 REGULATOR -



Product Rendering

**EXPECT QUALITY AND RELIABILITY**

**using our brand name WC T50 REGULATOR**

Version 3.0

**Head Office:**



7596 Wagner RD NW  
Edmonton , Alberta CANADA T6E 5B2  
info@weirusa.com / www.weirusa.com

1.866.462.1910 Toll Free  
780.462.1910 ph | 780.462.1959 fax



**Weir USA Inc.**

**DOMESTIC PRODUCTS MADE IN NORTH AMERICA**  
**Details are the difference between ordinary and EXCELLENCE**



## T50 REGULATOR

This product is designed for instrumentation and general purpose application. Made of die-cast aluminum housing and finished with vinyl paint for resistance to scratching and weathering. The rubberized, soft seat valve stem provides positive shut off and tolerates dirt or other foreign matter.

## FEATURING

- Superior regulation characteristics
- Rugged, corrosion resistant
- Excellent stability and repeatability
- Self relieving
- Integral, 40 micro self cleaning full mesh filter
- Low droop at high flow
- Several mounting options

## APPLICATION

The design of the T50 regulator is suited to pilot operated controllers, instruments, and applications like actuators, air chucks, air spray guns, and air cylinders.

## Weir USA at work for you

The T50 regulator aspirator maintains downstream pressure and compensates for droop when high flow occurs. The full flow gauge port is convenient for installation and can also be used as an additional full flow outlet.

### Sensitivity

1" (25.4mm) water column

### Flow capacity

20 SCFM (565 LPM)

### Effect of supply pressure variation (25 psi) on outlet pressure

<0.2 psi (0.01 BAR)

### Exhaust capacity

**(5 psi above 20 psi set point)**

0.1-0.45 SCFM typical (2.8-12.7 LPM)

### Maximum input/supply pressure

250 psi (17.2 BAR)

### Effect of changes in flow on regulated pressure (100 psi/6.9 BAR supply)

4 psi (0.3 BAR) overflow 10 SCFM  
(283 LPM) (1/4" NPT, 20 psi /  
1.4 BAR set point)

### Output pressure ranges

0-10 psi (0-0.7 BAR), 0-30 psi (0-2.1 BAR)

0-60 psi (0-4.1 BAR),

0-120 psi (0-8.3 BAR)

### Temperature ranges

-47 to 176F

### Total air consumption @ maximum output

6 SCFH (2.8 LPM)

### Port size

1/4" NPT, BSPT

### Size

3.19" X 3.19" X 7.25"

81 X 81 X 184mm)

### Weight

1.81 lb. (0.8kg)

### Materials of construction

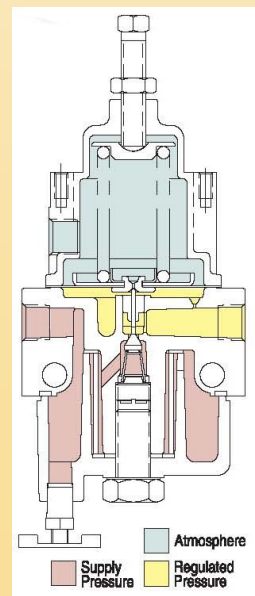
**Body:** die-cast aluminum  
c/w vinyl paint

**Adjusting Screw:** plated steel

**Trim:** plated steel, brass,  
acetal resin

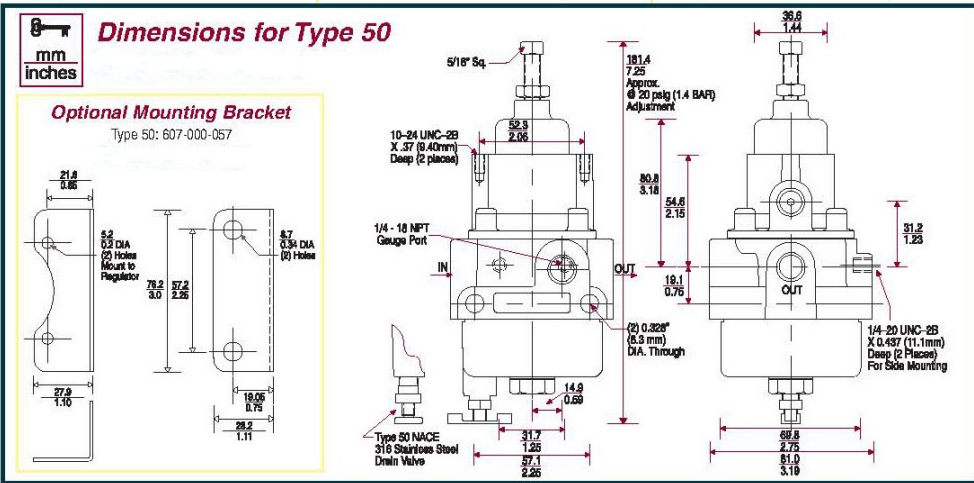
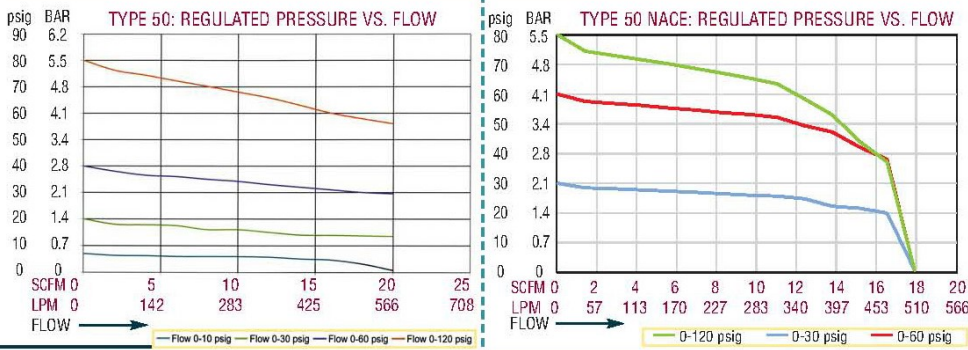
**Diaphragm:** Buna-N elastomeric  
with polyester fabric

**Knob:** Plastic



# PRODUCT GUIDE

## WEIR WC T50 REGULATOR



Technical Library

www.weirusa.com

SCAN ME

**SOLUTIONS FOR YOUR COMPANY NEEDS - WORLD WIDE SHIPPING**



**Weir USA Inc.**

**- HELP DESK -**

**FOR YOUR SUPPORT AND SERVICE**

**24 hours a day, 7 days a week**

**NO CHARGE ON CALLS SERVICE**

**We offer technical assistance, product knowledge, and reliable trouble shooting**

Brochures/Maintenance info available online [www.weirusa.com](http://www.weirusa.com)



**Head Office:**

7596 Wagner RD NW

Edmonton, Alberta CANADA T6E 5B2

[info@weirusa.com](mailto:info@weirusa.com) / [www.weirusa.com](http://www.weirusa.com)

1.866.462.1910 Toll Free

780.462.1910 ph | 780.462.1959 fax