



# PRODUCT GUIDE

## - WC SPEED CONTROLS - Flow Control Valve -



**EXPECT QUALITY AND RELIABILITY**

**using our brand name SPEED CONTROLS - Flow Control Valve**

Version 3.0

**Head Office:**



7596 Wagner RD NW  
Edmonton , Alberta CANADA T6E 5B2  
[info@weirusa.com](mailto:info@weirusa.com) / [www.weirusa.com](http://www.weirusa.com)

1.866.462.1910 Toll Free  
780.462.1910 ph | 780.462.1959 fax



# Weir USA Inc.

**DOMESTIC PRODUCTS MADE IN NORTH AMERICA**  
**Details are the difference between ordinary and EXCELLENCE**

## Speed Control - Flow Control Valve

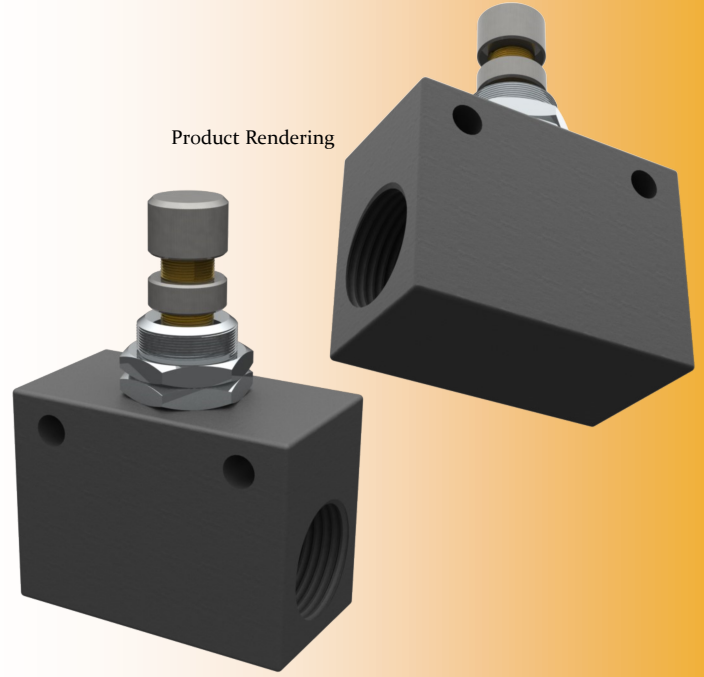
Housing constructed from aluminum alloy with a clean, light-weight surface.

Available in bi-directional OR single directional.

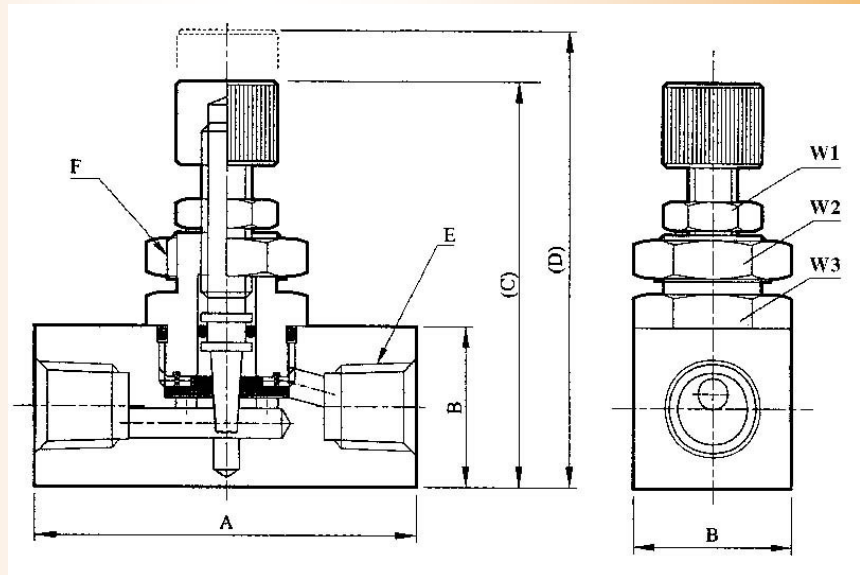
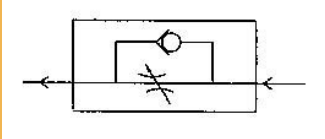
## Application

Flow control valve used to control speed of opening and closing on pneumatic actuators.

Product Rendering



Symbol



## RE FLOW RATE CONTROL DIMENSIONS (INCHES)

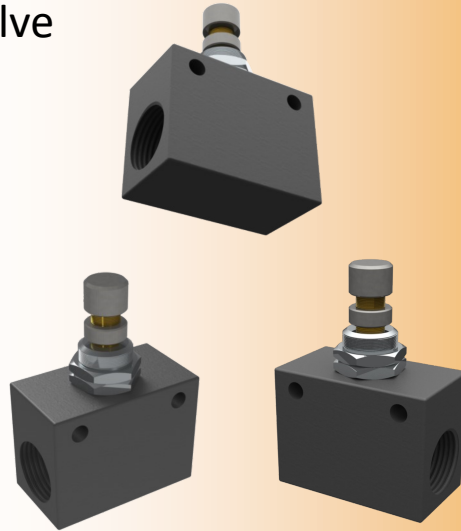
(Type)		A	B	C	D	E	F	W1	W2	W3
RE-01	6A	1.77	0.75	1.81	2.09	1/8	M14x1	0.43	0.67	0.67
RE-02	8A	1.77	0.75	1.81	2.09	1/4	M14x1	0.43	0.67	0.67
RE-03	10A	2.17	0.98	2.05	2.32	3/8	M18x1	0.43	0.67	0.91
RE-04	15A	2.17	0.98	2.05	2.32	1/2	M18x1	0.43	0.67	0.91

# PRODUCT GUIDE

## WEIR WC SPEED CONTROLS - Flow Control Valve



Product Rendering



**SOLUTIONS FOR YOUR COMPANY NEEDS - WORLD WIDE SHIPPING**



**Weir USA Inc.**

**- HELP DESK -**

FOR YOUR SUPPORT AND SERVICE

**24 hours a day, 7 days a week**

**NO CHARGE ON CALLS SERVICE**

We offer technical assistance, product knowledge, and reliable trouble shooting

Brochures/Maintenance info available online [www.weirusa.com](http://www.weirusa.com)



**Head Office:**

7596 Wagner RD NW

Edmonton, Alberta CANADA T6E 5B2

[info@weirusa.com](mailto:info@weirusa.com) / [www.weirusa.com](http://www.weirusa.com)

**1.866.462.1910 Toll Free**

780.462.1910 ph | 780.462.1959 fax