



PRODUCT GUIDE

- WCM₂₄VEP ELECTRO HYDRAULIC OPERATOR -



EXPECT QUALITY AND RELIABILITY

using our brand name WCM₂₄VEP ELECTRO HYDRAULIC OPERATOR

Version 3.0

Head Office:



7596 Wagner RD NW
Edmonton , Alberta CANADA T6E 5B2
info@weirusa.com / www.weirusa.com

1.866.462.1910 Toll Free
780.462.1910 ph | 780.462.1959 fax



Weir USA Inc.

DOMESTIC PRODUCTS MADE IN NORTH AMERICA

Details are the difference between ordinary and EXCELLENCE

DOMESTIC PRODUCTS MADE IN NORTH AMERICA



OPERATION

24 VDC 1500psi pump

Pipeline Pressure Switch (CCS) when satisfied pump will turn on and pump until limit switch is satisfied.

If there is leak down or temperature swings pump will turn back on to maintain ESD open.

If pipeline pressure is outside of set points pump can be started locally and momentarily switch needs to be held until pressure set points are met (safety).

There is a local ESD button on the panel and can be modified to work on any Hydraulic ESD that can take 1500 + psi.

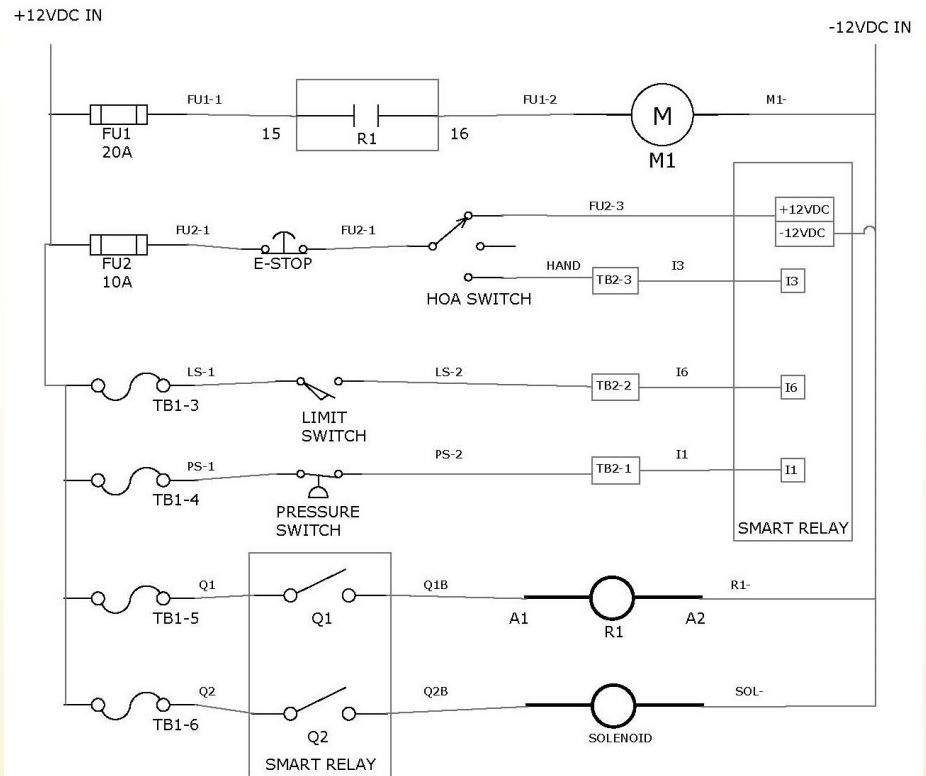
Power loss, line set points and Remote ESD – to shut down.

INSTALLATION

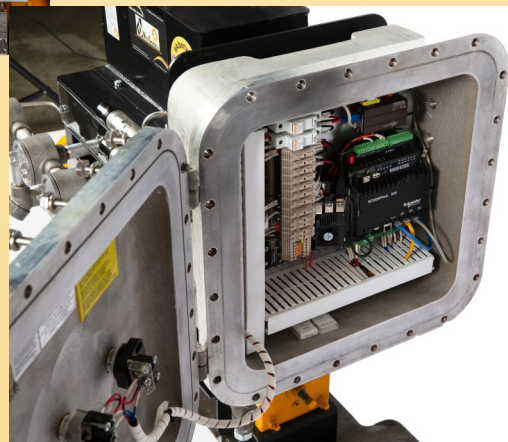
The WCM24VEP is designed for remote sites.

Low 1.4W continuous draw makes the system suitable for solar site applications.

The system is scalable utilizing any of our WCM High Pressure Hydraulic Actuators such as the WCM35 and WCYSF series actuators.



Weir offers technical consulting and provides a total end to end solution.



PRODUCT GUIDE

WCM24VEP ELECTRO HYDRAULIC OPERATOR



SOLUTIONS FOR YOUR COMPANY NEEDS - WORLD WIDE SHIPPING



- HELP DESK -

FOR YOUR SUPPORT AND SERVICE

24 hours a day, 7 days a week

NO CHARGE ON CALLS SERVICE

We offer technical assistance, product knowledge, and reliable trouble shooting

Brochures/Maintenance info available online www.weirusa.com



Head Office:

7596 Wagner RD NW

Edmonton, Alberta CANADA T6E 5B2

info@weirusa.com / www.weirusa.com

1.866.462.1910 Toll Free

780.462.1910 ph | 780.462.1959 fax