

WEIR CONCEPTS INC.

PRODUCT GUIDE

- WC T50 REGULATOR -



EXPECT QUALITY AND RELIABILITY

using our brand name WC T50 REGULATOR



7596 Wagner RD NW

Edmonton , Alberta

CANADA T6E 5B2

780.462.1910 ph

780.462.1959 fax

info@weirconcepts.com

www.weirconcepts.com

MADE IN ALBERTA, CANADA PRODUCTS

Manufactured and assembled at our Edmonton based facility

DETAILS ARE THE DIFFERENCE BETWEEN ORDINARY AND EXCELLENCE



T50 REGULATOR

This product is designed for instrumentation and general purpose application. Made of die-cast aluminum housing and finished with vinyl paint for resistance to scratching and weathering. The rubberized, soft seat valve stem provides positive shut off and tolerates dirt or other foreign matter.

FEATURING

- Superior regulation characteristics
- Rugged, corrosion resistant
- Excellent stability and repeatability
- Self relieving
- Integral, 40 micro self cleaning full mesh filter
- Low droop at high flow
- Several mounting options

APPLICATION

The design of the T50 regulator is suited to pilot operated controllers, instruments, and applications like actuators, air chucks, air spray guns, and air cylinders.

Weir Concepts at work for you

The T50 regulator aspirator maintains downstream pressure and compensates for droop when high flow occurs. The full flow gauge port is convenient for installation and can also be used as an additional full flow outlet.

Sensitivity

1" (25.4mm) water column

Flow capacity

20 SCFM (565 LPM)

Effect of supply pressure variation (25 psi) on outlet pressure

<0.2 psi (0.01 BAR)

Exhaust capacity

(5 psi above 20 psi set point)

0.1-0.45 SCFM typical (2.8-12.7 LPM)

Maximum input/supply pressure

250 psi (17.2 BAR)

Effect of changes in flow on regulated pressure (100 psi/6.9 BAR supply)

4 psi (0.3 BAR) overflow 10 SCFM
(283 LPM) (1/4" NPT, 20 psi /
1.4 BAR set point)

Output pressure ranges

0-10 psi (0-0.7 BAR), 0-30 psi (0-2.1 BAR)

0-60 psi (0-4.1 BAR),

0-120 psi (0-8.3 BAR)

Temperature ranges

-40°C TO 80°C

Total air consumption @ maximum output

6 SCFH (2.8 LPM)

Port size

1/4" NPT, BSPT

Size

3.19" X 3.19" X 7.25"

81 X 81 X 184mm)

Weight

1.81 lb. (0.8kg)

Materials of construction

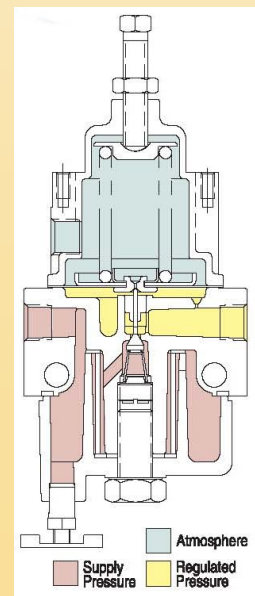
Body: die-cast aluminum
c/w vinyl paint

Adjusting Screw: plated steel

Trim: plated steel, brass,
acetal resin

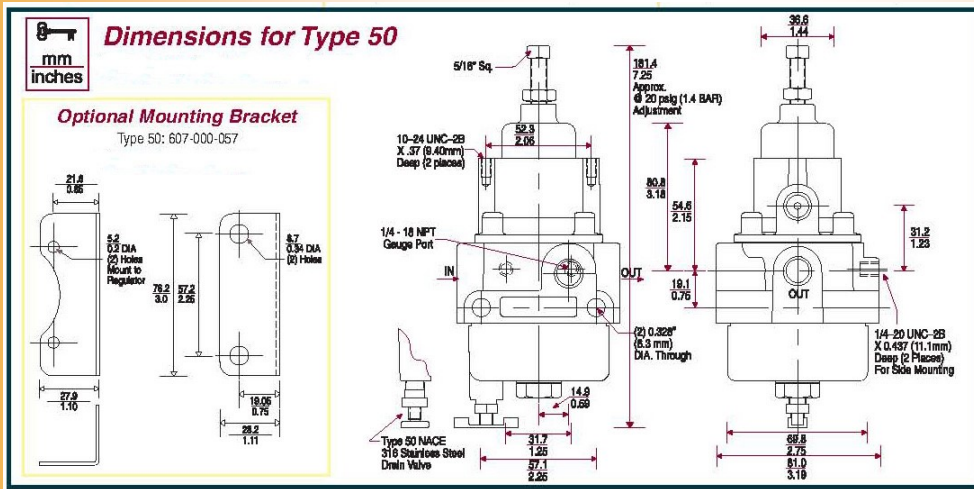
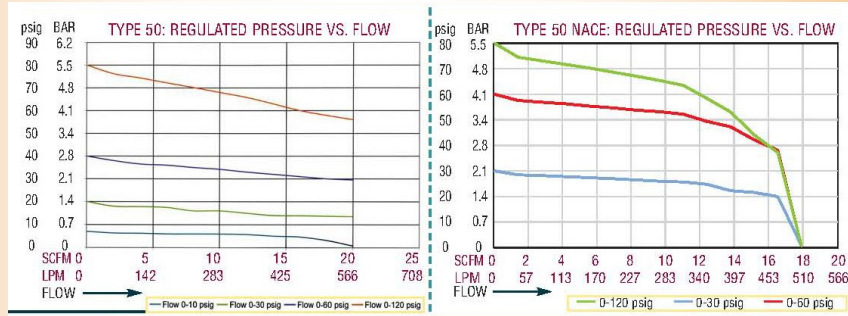
Diaphragm: Buna-N elastomeric
with polyester fabric

Knob: Plastic



PRODUCT GUIDE

WEIR CONCEPTS WC T50 REGULATOR



SOLUTIONS FOR YOUR COMPANY NEEDS

- HELP DESK -

FOR YOUR SUPPORT AND SERVICE

24 hours a day, 7 days a week

NO CHARGE ON CALLS SERVICE

We offer technical assistance, product knowledge, and reliable trouble shooting

Brochures/Maintenance info available online www.weirconcepts.com

HELP DESK EXPERTISE PROVIDED AT WEIR CONCEPTS

7596 Wagner RD NW

Edmonton , Alberta

CANADA T6E 5B2

780.462.1910 ph

780.462.1959 fax

info@weirconcepts.com

www.weirconcepts.com

Version 3.0

